



FIRE ALARM

CONTROL PANELS

DESCRIPTION

Orient KACP2 (Part Number: OCI 7085010) is an Analogue Addressable Fire Control Panel and is a versatile range of open protocol that is compatible with Orient KACP2 (Part Number: OCI 7146010). It is available in one or two detection loops for a total of 250 primary points or 400 points using sub-points. Orient KACP2 uses leading edge microprocessor based electronics to provide a flexible control system with high reliability and integrity.

Suitable for small to medium sized fire detection systems, Orient KACP2 Fire Control Panel can be expanded and networked to become part of much larger systems if necessary, thus, it provides a future proof solution for any installation. Orient KACP2 Fire Control Panel is simple and straightforward to understand for installers, commissioning engineers and end users alike due to its large graphical display and ergonomic button and indicator layout.

Features

- One full SLC circuit expandable to two
- 3 programmable relays
- 5.25A power supply
- Large graphic display
- Real time clock
- Compatible with KACP2 graphics annunciator
- Powerful, network wide cause and effects (500 total).
- Can be networked with additional RS and/ or KACP2 control panels
- Compatible with KACP2 Annunciator
- Programmable through a PC connection to the panel
- Stores 1000 last events in history log
- Model ranges include with or without a Dual-compact, stylish enclosure
- Available in Red and Gray
- 2 Programmable NAC circuits with internal synchronization support.

Technical Data

- o Construction : 1.5mm mild sheet steel
- o Weight (without batteries) : 9kg
- o Finish (lid & box) : RAL3002 (Red) or BS 00 A 05 (Grey)
- o Finish (product labels) : BS 00 A 05 (Grey)
- o Mains voltage supply : 110 or 230V AC 50 or 60 Hz.
(specify when ordering, default is 110V)
- o Mains supply fuse : 1.6A 250V
- o Power supply DC rating : 24V 5.25 Amps
- o Aux 24V supply : Fused at 500 milliamps
- o Battery (24 hour standby) : 9Ah 12V (2 per panel) (non-networked)
- o Fault contact rating : 30V DC 1 Amp
- o Fire contact rating : 30V DC 1 Amp
- o Alarm contact rating : 30V DC 1 Amp
- o NAC output rating : 3.1V across both channels, 2.3V across any one
- o Detection loop : 250 milliamp output
- o Serial expansion port : Serial RS485
- o PC port : Serial RS232
- o Network connection : Optional network Cards allow the use of e-Net networking
- o NAC Synchronization : Internal Support



P/N: OCI 7085010



ORIENT KRCP3 Extinguishant Control Panel

DESCRIPTION

Planned and manufactured to the most noteworthy benchmarks in a quality controlled condition and with UL and FM endorsements, the Orient KRCP3 offers exceptional esteem and execution for all little to medium settled firefighting inception. With three start circuits as standard, discharge can be designed to actuate from any blend of location zone contributions to permit (among different mixes) any two from three sort installations, for example, would be required for recognition in roof void, room and floor void applications.

The broad setup alternatives of the Orient KRCP3 enable the usefulness of the framework to be widely adjusted. The board contains a substantial LED show to empower simple setup and control which likewise shows the time staying until discharge for included client security. The commencement clock is copied on up to seven remote status units to give nearby sign of the framework status. With the greater part of the hardware mounted on a solitary, effortlessly removable, steel plate boards are both hearty and simple to introduce.

Features

- UL864 and FM listed
- Three initiation circuits as standard
- Any single zone or any combinations of zones can be configured to release
- Configurable first stage NAC delays
- Configurable detection delays
- Zero time delay upon manual release option
- Compatible with I.S. barriers
- Non-latching zone input option to receive signals from other systems such as aspirating equipment
- Configurable releasing delays up to 60 seconds in 5 second steps
- Configurable releasing duration up to 5 minutes in 5 second steps
- Countdown timer shows time remaining until release
- Supports up to seven, four wire status indicators
- Built in Extract Fan control



P/N: OCI 7181013

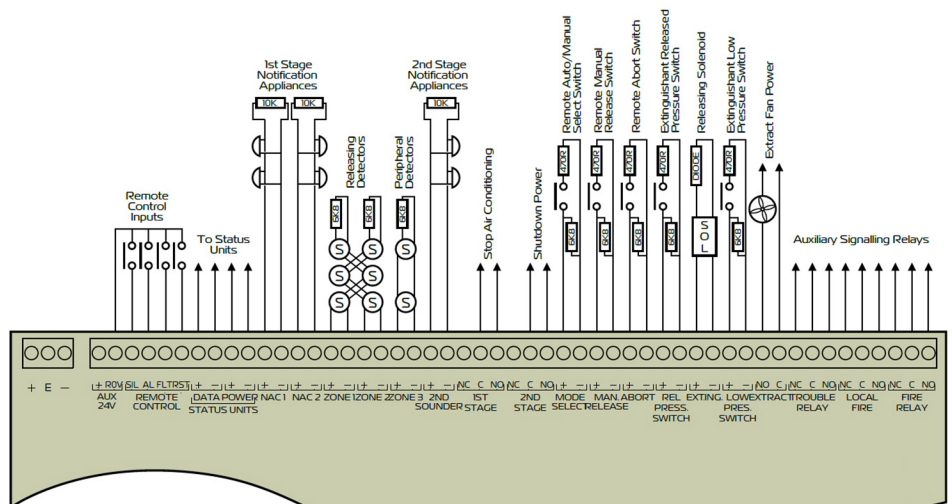
Programmable Functions

Access Level 2

- Test Zones 1 to 3
- Disable Zones 1 to 3
- Disable 1st Stage Alarms
- Disable Pre-activated 1st Stage Relays
- Disable Pre-activated 2nd Stage Relays
- Disable Extract Fan Output
- Disable Manual Release Input
- Disable Releasing Sub System
- Activate Extract Fan Output
- Activate Alarm Delays

Access Level 3

- Sounder Delay
- Coincidence Detection
- Disable Panel Features
- Zone Alarm Delays (Detectors)
- Zone Alarm Delay (Call stations)
- Configure Zone for I.S Barrier Use
- Zone Short Circuit Alarm
- Zone Non Latching
- Zone Inputs Delay
- Extinguishant Release Time Delay
- Extinguishant Release Duration Timer



DESCRIPTION

Planned and produced to the most astounding standard in a quality controlled condition, Orient KLRP (Part Number:OCI 7117210) gives a straightforward and helpful technique for broadening the controls and signs of the Orient KACP2 (Orient KACP4) Fire Control Panel to different areas. The substantial, realistic fluid precious stone show and high splendor LED markers copy the signs of the Orient KACP2 (Orient KACP4) Fire Alarm Control Panel at up to 15 extra areas by means of a basic, two-wired serial information associations.

Situate KLRP is housed in an area which is styled likewise to the Orient KACP2 (Orient KACP4) Fire Control Panel and is perfect for establishments where an expansive control board would be hindering to stylistic theme, for example, entrance lobby. Up to 15 Orient KLRP annunciators can be associated with each control board, which makes it perfect where different purposes of signs and additionally control are required, for example, attendants stations or shop units.

Features

- Available in Red or Gray
- Up to 15 annunciators can be connected to each fire control panel
- Large liquid crystal display (240 x 64 pixels)
- High brightness LED indications
- Internal sounder
- Replicates all panel controls
- Simple, two-wire serial connection
- Small, style enclosure
- Removable electronics for easy installation
- 24V DC powered
- Low power consumption
- Multi language options

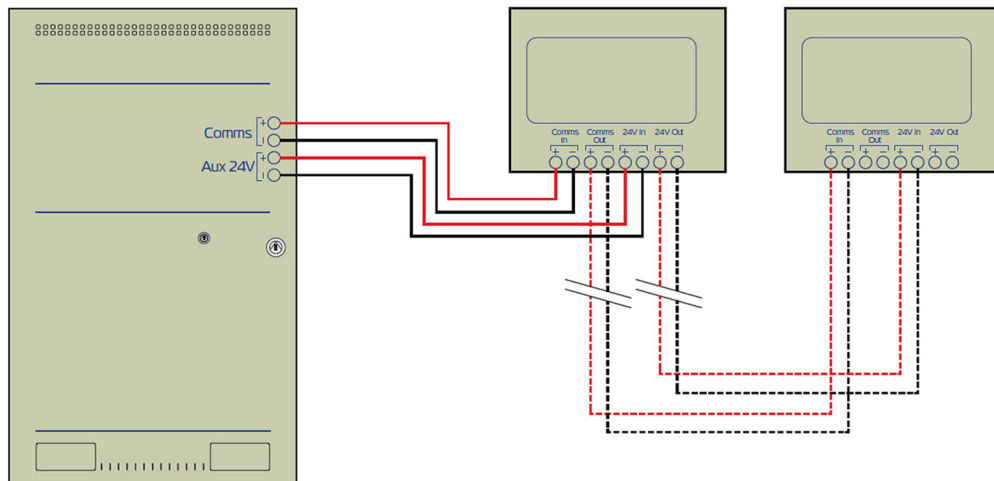


P/N: OCI 7117210

Technical Data

- | | |
|--|--|
| o Construction | : 1.2mm mild sheet steel |
| o Cable entry | : 4 knockouts in back of box and 1 in left and right sides |
| o Weight | : 1.6kg |
| o Finish | : RAL3002 (Red) or BS 00 A 05 (Grey) |
| o 24V supply | : 21 to 30V DC |
| o Maximum ripple current | : 200 millivolts |
| o Quiescent current of panel in mains fail | : 0.03 Amps |
| o Serial data connection | : 2 core RS485 (Up to 1200 metres total cable length) |
| o Maximum terminal capacity | : 12AWG |

Orient series control panel



DESCRIPTION

Regular Control Panel demonstrate KCCP (Part Number: OCI 7184211) from the Orient has a discretionary inherent communicator with 2, 4 or 8 starting circuits which might be widely designed by means of a direct front panel worked programming strategy. The lowest standby power prerequisites and financially savvy little batteries enable the panel to be mounted in a little discreet walled in area which is accessible in either red shading or dim shading.

Situate KCCP utilizes a basic programming with three (3) front panel clutch that permits a broad rundown of arrangement alternatives to be set and evaluated. A solitary panel development permits simple evacuation of every electronic part by expelling 2 screws and plentiful arrangements of link passage knockouts disentangle inceptions. A 4 Amps notice machines control and implicit selectable synchronize conventions give plentiful power and control to an extensive variety of standard notice and apparatuses. Also, the inherent RS485 correspondences transport gives the office to interface 4 wire annunciators or subordinate hand-off sheets to give advance sign and control choices all through the premises. Situate KCCP additionally has an alternative of DACT that permits double line answering to focal stations and gives a 500 occasion history buffer.



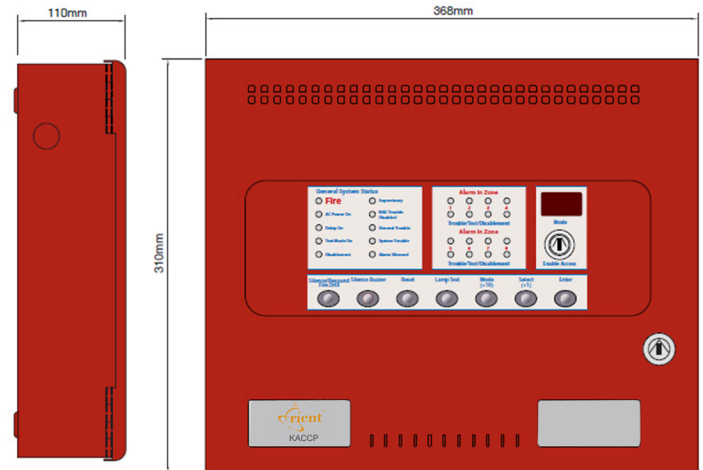
P/N: OCI 7184211

Features

- Two, four or eight initiating circuits
- Initiating circuits individually configurable as Fire, Water flow or Supervisory
- Two 2A notification appliance circuits
- Selectable NAC sync protocols
- Two 2.0A notification appliance circuits
- 6.5A power supply
- Alarm verification selectable by zone
- Resettable Aux power output rated at 0.3A
- Aux power configurable to power off on fire condition
- Fire, Trouble and Supervisory relays
- Single person walk test function
- Optional DACT
- Many advanced configuration options
- 72 hour standby with 7Ah batteries
- Compact enclosure
- Fire Drill capability

Technical Data

o Construction	: 1.2mm mild sheet steel
o IP Rating	: IP30
o Finish	: Epoxy powder coated
o Colour - lid & box	: Red RAL 3002
o Supply Voltage	: 115V AC or 230V AC
o Mains Supply fuse	: 3 Amp 250V 20mm SB
o Power supply DC rating	: 24V 6.5 Amps
o Maximum battery size	: 12Ah 12V (2 per panel)
o Trouble contact rating	: 30V DC 1 Amp
o Supervisory contact rating	: 30V DC 1 Amp
o Fire contact rating	: 30V DC 1 Amp
o NAC rating	: 2A per circuit 4A Total
o Detection zone current	: 1.6 milliamps
o Detection zone EOL resistor	: 6k8 5%
o NAC EOL resistor	: 10k 5%
o Cable capacity	: 12 AWG
o Operating temperature	: -5°C to 50°C
o Operating humidity	: <95% (non condensing)



DESCRIPTION

Situate KACP4 (Part Number: OCI 7146010) is an Analog Addressable Fire Control Panel that supports 2 or 4 SLC circles for a sum of 500 essential focuses or 800 focuses utilizing sub focuses. Since standard turned match cabling is used in SLC circle correspondences, protected link is most certainly not fundamental.

Arrange KACP4 Fire Control Panel might be designed with different correspondence cards that have correspondence alternatives to bolster focal station observing, virtual board, and systems administration. The control board can likewise be arranged as a remain solitary board with a couple of gadgets for little working notwithstanding work as the building framework which can be a piece of a system with an aggregate of 64 hubs serving different building grounds or vast office.

Arrange KACP4 Fire Control Panel has Auto Learn Capability that gives a helpful strategy to investigate new installations before the last writing computer programs is stacked.

Features

- Fully user programmable by point or zone with powerful, network wide cause and effects (500 in total)
- Can be up to 800 points per panel when using devices with sub-points
- Can be up to 10,000 ft wiring length on SLC loop
- 800 points per panel when using devices with sub-points
- Up to 10,000 ft. wiring length on SLC loop
- 64 Panels on a network
- Programmable through a PC connection to the panel, or through keypad
- Programmable relays – 5
- Supervised Powered Outputs – 3
- Programmable Notification Appliance Circuits: 4
- Power per NAC: 1.6 Amps Max
- Programmable outputs on SLC loop
- Programmable Function button on front display
- Fire Drill button on front display
- Day and night sensitivity settings (userprogrammable)
- Power Supply: 5.25 Amp, regulated & integrated LCD Display: 8x40
- Zonal Mode: Annunciation by zone w/o individual relationships
- Panel Ring Modes: Common, Zonal, Stage 2
- NAC Outputs programmable as Continuous, March, Temporal
- Program Cause and Effects AND, OR, or Any Two (Cross Zone)
- Battery size: Up to 17 Ah in standard enclosure; up to 52 Ah with external cabinet
- Access levels: 3
- Access key switch: Yes
- Recognized for use in High Rise
- One man walk test – Fire Test Mode
- Available with semi flush trim ring
- Available in Red or Grey

Technical Data

o Construction	: 1.5mm mild sheet steel
o Primary AC	: 120VAC @ 2 Amps 60hz (Optional 240 VAC 50hz)
o Output DC	: 24VDC @ 4 Amps
o Power Supply	: 5.25 Amp regulated and integrated
o Charger Current	: 1.25 Amps max.
o Weight	: 11kg (without batteries)
o Colour	: Red (optional grey)
o Display	: 8 line x 40 character LCD (320 characters total)
o Zones	: 500 Zones per network
o SLC loops	: 2 or 4 (class A or B)
o Devices per loop	: 126 sensors & modules (800 addresses + sub-addresses max. per panel)
o NAC Outputs	: (4) 1.6 Amp @ 24VDC (class B)
o Relay Outputs	: (5) Form C 1 Amp @ 30VDC
o Voltage Outputs	: (3) 500mA @ 24VDC, reverse polarity supervised
o Aux. Power	: 500mA @ 24VDC



P/N: OCI 7146010

